

## 1E387690 | JUPITER PRO Small

### Professional adjustable LED projector



#### SOURCE

Emitter Ra90.  
**Energy efficiency class:** F  
**Nominal power:** 5,7W  
**Nominal flux:** 557lm  
**Colour rendering index:** 90  
**Rf:** 93  
**Rg:** 101  
**CCT nominal:** 4000K  
**Lifetime (L80/B10):** >50000h tq +25°C

#### ILLUMINOTECHNICAL CHARACTERISTICS

Tool-free accessible optical compartment with IP66 protection rating, even removing the front piece. Equipped with PMMA lens and interchangeable holographic filters with different degrees of diffusion to obtain the apertures: SP, FL, and MWFL.

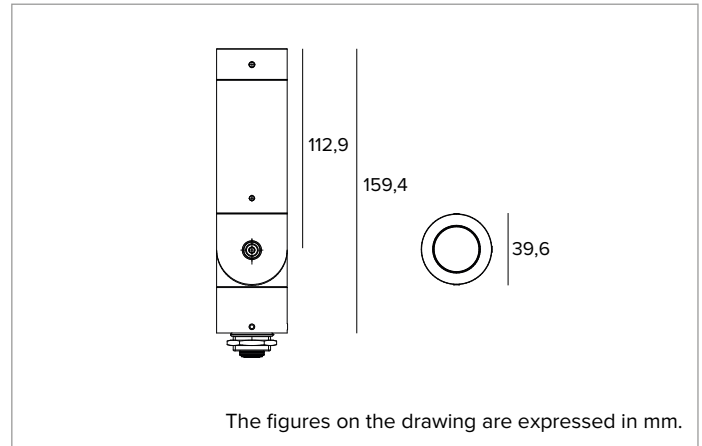
**Optic:** LENS  
**Beam angles:** SP, FL, MWFL  
**Optical efficiency:** See photometries  
**Fixture flux:** See photometries  
**Luminous efficacy:** See photometries  
**Photobiological safety:** Compliant with RG1 low risk group

#### MECHANICAL CHARACTERISTICS

Frame and joint in aluminium with CNC machining, anodised and painted.  $\pm 360^\circ$  rotation on the horizontal plane and  $180^\circ$  on the vertical plane.

**Colour and finish:** Bronze  
**Dimensions:**  $\varnothing 40$   
**Weight:** 0.46Kg  
**Version:** MULTIOPTIC  
**Degree of protection:** IP66  
**Mechanical Resistance:** IK08

The fixture's photometric values can be found on the following pages



#### ELECTRICAL CHARACTERISTICS

24V resin driver card built into the product. Pre-wired with 3m of 2-pole 18AWG cable with built-in acquastop device.  
**Fixture Power:** 8W  
**Power supply:** 24Vdc  
**Insulation Class:** CLASS 3  
**Driver included:** NO  
**Class F:** YES  
**Ambient temperature:** -25°C / +35°C

#### INSTALLATION

Joint at the base of the product equipped with hexagonal socket screw for positioning. The product may be installed using our accessories: plate for mounting on surfaces or spike for in-ground installation. It is also possible to install the product with any other support with a G 1/2 shank hole.

#### NOTES

Dimmable with a special accessory kit. Casambi control system available using a dedicated accessory (only with DALI dimmer). Uses the "Waterblock Smart" technical solution that involves resin coating the connection cables, limiting the risk of humidity reaching the driver or the fixture. 110-277Vac version available on request. Commissioning of the control system via free APP; the intervention of a specialist technician can be quoted on request.

#### WARRANTY

5 years.

#### WARNING

Luminaire designed for disposal/recycling at end-of-life. Replaceable (LED only) light source by a professional.

Due to the technological evolution of the electronic components, the data provided may be updated, and as such, confirmation must be requested during the order process.

Luminous flux and power supply have +/-10% tolerances with respect to the indicated value. tq +25°C (CIE 121).

We reserve the right to make technical changes.

Targetti Sankey S.r.l.  
 Via Pratese, 164  
 50145 Firenze - Italy  
 Tel: +39 055 37911  
 targetti.com  
 targetti@targetti.com

CCIAA Firenze  
 Share Capital:  
 € 500.000,00  
 VAT N. (IT):  
 01537660480  
 R.E.A: FI-275656

**TARGETTI**

## 1E387690 | JUPITER PRO Small

### Professional adjustable LED projector

		4000K	H(m)	D(m)	Emax(lx)	
		Ra90		11°		
	Fixture Power	8W	1	0.19	8075	
	Source Flux	557lm	2	0.38	2019	
	Fixture Flux	407lm	3	0.57	897	
	Efficacy	52lm/W	4	0.75	505	
	TS1401	Imax=14505cd/klm	Imax	8075cd	5	0.94

		4000K	H(m)	D(m)	Emax(lx)	
		Ra90		20°		
	Fixture Power	8W	1	0.36	2000	
	Source Flux	557lm	2	0.72	500	
	Fixture Flux	356lm	3	1.08	222	
	Efficacy	46lm/W	4	1.44	125	
	TS1402	Imax=3593cd/klm	Imax	2000cd	5	1.80

#### SP

Fixture flux	407lm
Luminous efficacy	52lm/W
Optical efficiency	73%

#### FL

Fixture flux	356lm
Luminous efficacy	46lm/W
Optical efficiency	64%

		4000K	H(m)	D(m)	Emax(lx)	
		Ra90		37°		
	Fixture Power	8W	1	0.68	657	
	Source Flux	557lm	2	1.36	164	
	Fixture Flux	321lm	3	2.04	73	
	Efficacy	41lm/W	4	2.71	41	
	TS1403	Imax=1180cd/klm	Imax	657cd	5	3.39

#### MWFL

Fixture flux	321lm
Luminous efficacy	41lm/W
Optical efficiency	58%

Due to the technological evolution of the electronic components, the data provided may be updated, and as such, confirmation must be requested during the order process.

Luminous flux and power supply have +/-10% tolerances with respect to the indicated value. tq +25°C (CIE 121).

We reserve the right to make technical changes.

Targetti Sankey S.r.l.  
Via Pratese, 164  
50145 Firenze - Italy  
Tel: +39 055 37911  
targetti.com  
targetti@targetti.com

CCIAA Firenze  
Share Capital:  
€ 500.000,00  
VAT N. (IT):  
01537660480  
R.E.A.: FI-275656

# TARGETTI

# 1E387690 | JUPITER PRO Small Professional adjustable LED projector

## Related codes

### Mounting System



Ø mm	H mm	Colour	Code
50	232	●	<b>1E3785BT</b>
50	232	●	<b>1E3803</b>

Earthspike.  
Powder coated stainless steel.



Colour	Code
●	<b>1E3804</b>

Plate for fixture rotation (surface installation).  
Powder coated stainless steel.

### Power Supply



Dimensions LxHxP mm	Power	Power supply	Output voltage	IP	Code
122x26x54	17W	220-240Vac	24Vdc	IP68	<b>1E4397EL</b>

Electronic ON-OFF power supply.

Dimensions LxHxP mm	Power	Power supply	Output voltage	IP	Code
79x25x38	14,4W	220-240Vac	24Vdc	IP67	<b>1E4359</b>
185x22x64	50W	220-240Vac	24Vdc	IP20	<b>1T3726</b>
140x32x63	75W	220-240Vac	24Vdc	IP67	<b>1T3586</b>
230x87x43	100W	220-240Vac	24Vdc	IP67	<b>1T3587</b>
238x42x67	200W	220-240Vac	24Vdc	IP67	<b>1T3588</b>

Electronic ON-OFF power supply.

## Accessories

### Filter



Code
<b>1E3789</b>

Blade of light filter.  
PMMA holographic filter for a blade of light effect.  
Diameter 26mm.

### Grid



Code
<b>1E3791</b>

Anti-glare louver.  
Black painted metal honeycomb structure.  
Ready to be housed inside the optical compartment.  
Diameter 26mm.

### Screen



Colour	Code
●	<b>1E3805</b>

Asymmetric screen.  
Powder coated stainless steel.  
Diameter 26mm.

*Due to the technological evolution of the electronic components, the data provided may be updated, and as such, confirmation must be requested during the order process. Luminous flux and power supply have +/-10% tolerances with respect to the indicated value. tq +25°C (CIE 121).*

We reserve the right to make technical changes.

Targetti Sankey S.r.l.  
Via Pratese, 164  
50145 Firenze - Italy  
Tel: +39 055 37911  
targetti.com  
targetti@targetti.com

CCIAA Firenze  
Share Capital:  
€ 500.000,00  
VAT N. (IT):  
01537660480  
R.E.A.: FI-275656



## 1E387690 | JUPITER PRO Small Professional adjustable LED projector

### Connector



Code

**1E2769**

Linear connection box IP66/IP68.  
5 poles max. wire section 1.5mm<sup>2</sup>.  
Cable diameter range from 7 to 12mm.



Code

**1E2494**

Multiple connection box IP68.  
1 IN - 3 OUT 4 poles max. wire section 2.5mm<sup>2</sup>.  
Cable diameter range from 6 to 12mm.

### Tool



Code

**1E3305**

Tightening wrench for the connector kit.

### Control systems

Code

**1T6581**

Dimmer for 12-24Vdc constant voltage LED driver.  
1-10V/DALI control input.  
IP20



Code

**1E3048**

IP67 wireless control unit with DALI interface.  
It generates a local DALI2 bus, enabling a direct connection to a DALI interface LED driver.  
The module can only be used in a closed system and cannot be connected to an existing DALI network.  
The module is wireless controlled using a Casambi app for smartphones and tablets using Bluetooth 5.0 technology.  
The devices automatically create an adaptive, robust, and reliable wireless mesh network, allowing for the easy and efficient management of a high number of fixtures. The control unit is preset to the DALI 1CH profile, meaning the device can control a single DALI driver with broadcast commands.  
In addition to the DALI broadcast, other operating modes are available, such as:

- Button (normally open)
- Control unit 0/1-10V
- Control unit DALI Tunable White DT8
- Presence sensor

Due to the technological evolution of the electronic components, the data provided may be updated, and as such, confirmation must be requested during the order process.

Luminous flux and power supply have +/-10% tolerances with respect to the indicated value. tq +25°C (CIE 121).

We reserve the right to make technical changes.

Targetti Sankey S.r.l.  
Via Pratese, 164  
50145 Firenze - Italy  
Tel: +39 055 37911  
targetti.com  
targetti@targetti.com

CCIAA Firenze  
Share Capital:  
€ 500.000,00  
VAT N. (IT):  
01537660480  
R.E.A: FI-275656

**TARGETTI**

## 1E387690 | JUPITER PRO Small Professional adjustable LED projector

### Control systems



Code

**1E4369**

IP67 Extender for wireless control of LED driver with dimming DALI interface based on Casambi technology.

It has a DALI2 output with the capacity to control up to 40 lighting fixtures.

With the addition of a further external BUS DALI power supply it is possible to control up to 64 fixtures.

IP67 Extender is preset to the DALI broadcast profile, meaning all the luminaires connected to it are dimmable at the same level.

In addition to the DALI broadcast other operating modes are available, such as:

- EXTENDER DALI 8CH
- EXTENDER DALI Tunable White
- EXTENDER DALI 4CH
- EXTENDER DALI DT8 Tunable White

*Due to the technological evolution of the electronic components, the data provided may be updated, and as such, confirmation must be requested during the order process.*

*Luminous flux and power supply have +/-10% tolerances with respect to the indicated value. tq +25°C (CIE 121).*

*We reserve the right to make technical changes.*

Targetti Sankey S.r.l.  
Via Pratese, 164  
50145 Firenze - Italy  
Tel: +39 055 37911  
targetti.com  
targetti@targetti.com

CCIAA Firenze  
Share Capital:  
€ 500.000,00  
VAT N. (IT):  
01537660480  
R.E.A: FI-275656

**TARGETTI**